

Leil<sup>®</sup>  
SAUNAS



# Black Cube

Outdoor Sauna Collection

[leilsaunas.com](https://leilsaunas.com)



Lei<sup>®</sup>  
SAUNAS

A vertical photograph of a dense evergreen forest. The scene is heavily misted, with a soft, ethereal atmosphere. The trees are dark green, and the mist is a pale, hazy white. The lighting is diffused, creating a sense of depth and tranquility. The text is overlaid in the lower-left corner in a white, serif font.

Built for peace.  
Inspired by nature.

■ who are we?

# Not just another sauna manufacturer.

Our story began more than sixteen years ago in a freezing garage, where our two founders, childhood friends, built the first units by hand with equal parts grit and curiosity. That hands-on spirit still drives us today. From those early days, we've grown into a modern manufacturer with deep craft roots. We design and build on a single 6-hectare manufacturing campus in Estonia, pairing precise engineering with honest, long-lasting materials. Every detail matters: clean lines, smart assembly, efficient heating, and a bathing experience that feels restorative day after day.



**Experience over 16 years**



**Premium Materials**



**World-class Manufacturing**



**Award-winning Designs**

## Designed for life. Tested by nature.

What we make is intended to live beautifully and work hard. We build with Nordic ThermoWood®, tempered glass, and durable components, and we test our saunas the way they're meant to be used – out in real weather, with real steam, and real people. The result is reliable performance, simple maintenance, and timeless aesthetics that fit homes, cabins, spas, and hospitality projects.

## Crafted by hand. Found worldwide.

Our saunas are available through our distributor network in over 50 countries.



the story behind our name.



## What is *leil*?

*leil* (Estonian, noun)

“sauna steam”; the burst of heat and vapor created by ladling water onto hot stones, and therefore the sacred ritual of making it.

For centuries, the sauna has been a sacred place for the people of the North. In a rapidly changing and noisy world, it is increasingly important to take moments to truly be present and find peace. *Leil* is at the heart of this experience.

We invite people to experience the peace, connection, and ritual of true sauna practice. Our goal is to bring the authentic Estonian sauna experience to new audiences worldwide, teaching the art of *leil* as a universal expression of well-being that transcends cultures and languages.



## Healthy heat. Happy heart.

What most people don't realize is that leil isn't about endurance or extreme heat. True leil should be gentle and soft, yet deeply warm – a balance that soothes rather than overwhelms.

Our mission is to share this understanding with the world and teach people the art of creating and enjoying leil the right way.

Going into the sauna and throwing leil the right way helps boost your health and wellbeing, calm the mind, and strengthen your immunity.

# Black Cube

## Outdoor Sauna Collection

Black Cube is our most compact outdoor sauna collection, defined by its bold dark finish and distinctive cube form with signature arches. Designed for smaller outdoor spaces without compromising on style, the series offers a configurable setup: depending on the model, you can choose different bench layouts, upgrade interior finishes, and add features such as LED lighting and rear glazing. The result is a compact sauna with a strong visual identity and the flexibility to tailor both the look and the session to your needs.



■ exterior

From the outside, Black Cube is defined by a clean, compact form and a dark architectural finish. The standard construction features 40 mm Thermowood walls, a square shingle roof, and black tempered glass in the front glazing and door. Signature full-circle arches on the front and rear wall are finished in black, while integrated ventilation openings support stable airflow and reliable outdoor performance.



■ interior

Inside, Black Cube features two-level benches with skirts and backrests. Depending on the model, it is available with different bench configurations, and selected versions include an optional decorative feature wall. Lighting can be specified with LED strips, and the rear wall can be configured with a half panoramic window to bring in natural light while keeping the layout simple and functional.



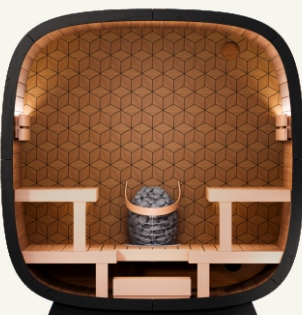
## Black Cube Classic

Black Cube Classic is the most compact model in the range, designed for tight outdoor spaces while still offering a proper sauna layout for up to four. Classic is intended for use with an electric heater only making it a practical choice where simple installation and a minimal footprint are the priority.



## Black Cube Comfort

Black Cube Comfort layout features opposing benches and is intended for shared sessions, with capacity up to six people. Comfort is compatible with both electric and wood-burning heaters and suits customers who want more space while keeping the overall form compact.



## Black Cube Premium

Black Cube Premium is a four-seated sauna with an upgraded interior finish. Seating is arranged on opposing benches for comfortable face-to-face sessions and an efficient use of space. It is compatible with electric heater only.





## standard set includes

|   |                                  |   |
|---|----------------------------------|---|
| 1 | Walls                            | 40mm Thermowood   |
| 2 | Roof                             | Shingle roof, Black                                       |
| 3 | External door                    | Black tempered glass door                                 |
| 4 | Front wall                       | Black 8mm tempered glass                                  |
| 5 | Benches                          | 2-level benches with bench skirts and back rests          |
| 6 | Arches                           | Full circle arches for front and back wall, painted black |
| 7 | Ventilation                      | 3-4x ventilation openings                                 |
| 8 | Floor cover                      | Nerostep plastic grid mats                                |
| 9 | Baseframe and external mouldings | Painted black   |



Hexagon decorative wall

Included in **Premium model only**

## additional extras



### 10 Lighting

LED-strips under the bench  
and/or behind back rest



### 11 Panoramic window\*

Half panoramic window on the back wall  
\*available for Classic and Comfort only

## assembly and delivery

All models are available as a DIY kit or pre-assembled. Availability may vary by model - please check for details.

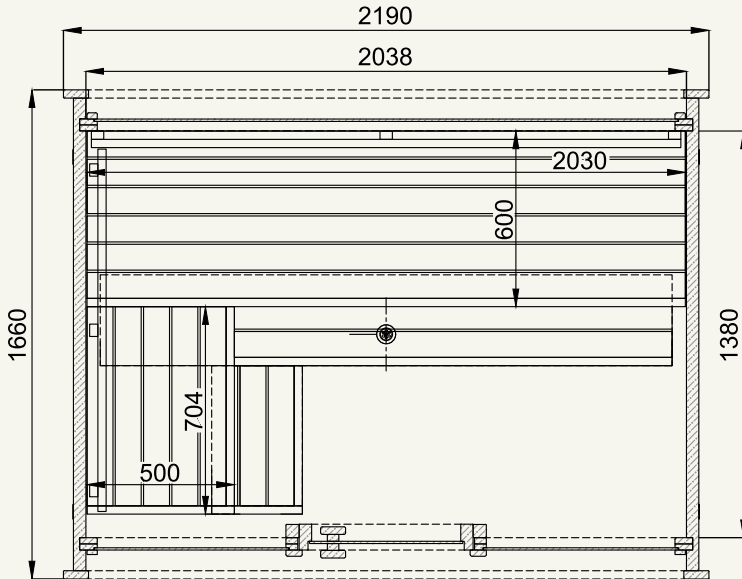




# Black Cube Classic

for 4 people





### technical information

#### METRIC

#### IMPERIAL

|                     |                        |                          |
|---------------------|------------------------|--------------------------|
| Coverage area       | 3,6 (m <sup>2</sup> )  | 38.8 (ft <sup>2</sup> )  |
| Steam room volume   | 5,0 (m <sup>3</sup> )  | 176.6 (ft <sup>3</sup> ) |
| External dimensions | W2190×D1660×H2200 (mm) | W86.2×D65.4×H86.6" (in)  |
| Internal dimensions | W2038×D1380×H2038 (mm) | W80.2×D54.3×H80.2" (in)  |
| Weight              | 800 (kg)               | 1,764 (lb)               |
| Pallet size         | 1,20×2,25×1,20 (m)     | 3.94×7.38×3.94 (ft)      |

### suitable with

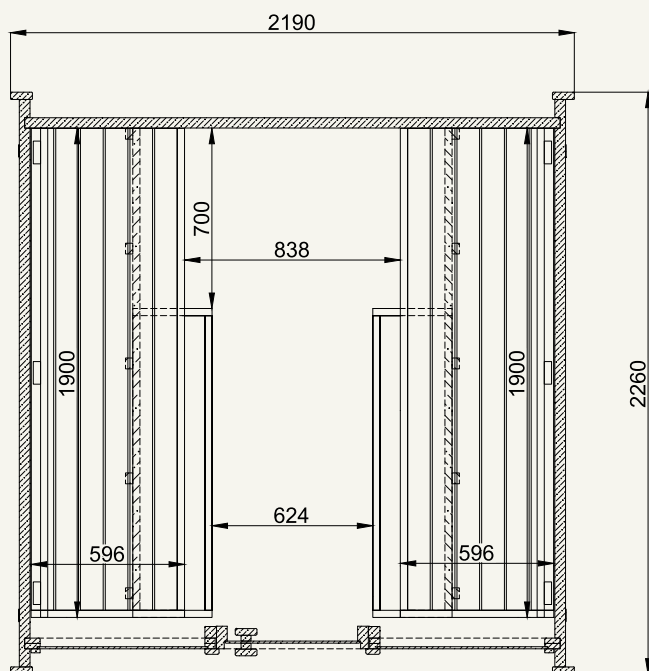
|                     |   |
|---------------------|---|
| Electric heater     | ✓ |
| Wood burning heater | ✗ |



# Black Cube Comfort

for 6 people





## technical information

|                     | METRIC                 | IMPERIAL                 |
|---------------------|------------------------|--------------------------|
| Coverage area       | 4,9 (m <sup>2</sup> )  | 52.7 (ft <sup>2</sup> )  |
| Steam room volume   | 7,8 (m <sup>3</sup> )  | 275.5 (ft <sup>3</sup> ) |
| External dimensions | W2190×D2260×H2200 (mm) | W86.2×D89.0×H86.6" (in)  |
| Internal dimensions | W2038×D1980×H2038 (mm) | W80.2×D78.0×H80.2" (in)  |
| Weight              | 875 (kg)               | 1,929 (lb)               |
| Pallet size         | 1,20×2,25×1,20 (m)     | 3.94×7.38×3.94 (ft)      |

## suitable with

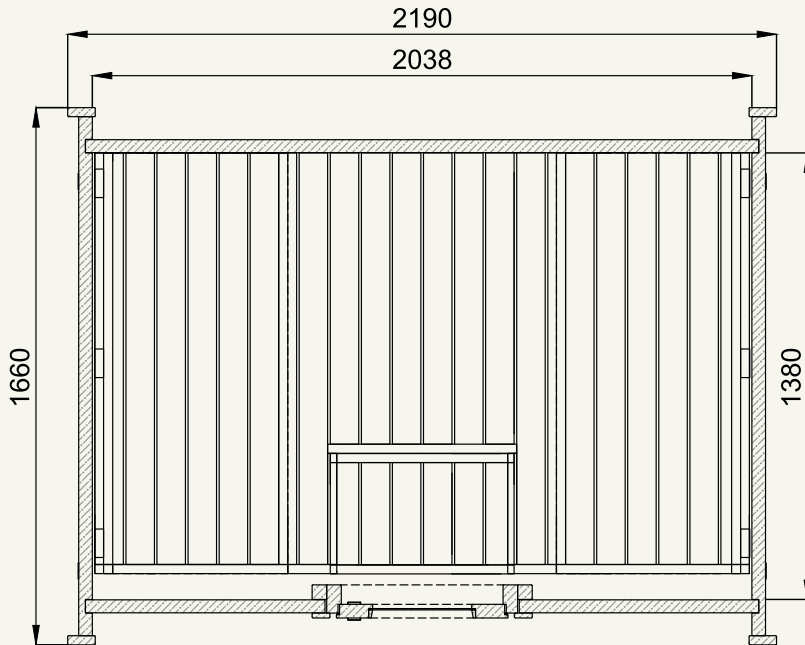
|                     |   |
|---------------------|---|
| Electric heater     | ✓ |
| Wood burning heater | ✓ |



# Black Cube Premium

for 4 people





### technical information

|                     | METRIC                 | IMPERIAL                 |
|---------------------|------------------------|--------------------------|
| Coverage area       | 3,6 (m <sup>2</sup> )  | 38.8 (ft <sup>2</sup> )  |
| Steam room volume   | 5,0 (m <sup>3</sup> )  | 176.6 (ft <sup>3</sup> ) |
| External dimensions | W2190×D1660×H2200 (mm) | W86.2×D65.4×H86.6" (in)  |
| Internal dimensions | W2038×D1380×H2038 (mm) | W80.2×D54.3×H80.2" (in)  |
| Weight              | 825 (kg)               | 1,819 (lb)               |
| Pallet size         | 1,20×2,25×1,20 (m)     | 3.94×7.38×3.94 (ft)      |

### suitable with

|                     |   |
|---------------------|---|
| Electric heater     | ✓ |
| Wood burning heater | ✗ |

## FAQ.

### **What type of wood do you use in manufacturing, and why is thermally treated wood good?**

We use ThermoWood® (thermally modified pine) for the sauna exterior, while benches are made from aspen and alder, both in their natural and thermally treated forms. Thermally treated wood is ideal for saunas as it's resistant to water and humidity, doesn't swell or shrink, won't warp or twist like untreated wood, and doesn't leak resin.

---

### **Are your outdoor saunas suitable for year-round use?**

Yes, our outdoor saunas can be used year-round, enduring cold winters and hot summers. We use 40mm or 70mm thick thermally treated wood, roofing with shingles or EPDM rubber to ensure moisture resistance. We also recommend applying an external UV-protective varnish treatment which ensures long-lasting durability.

---

### **Can products be customized (custom solutions)?**

Yes, some products are available for customization, but it involves additional waiting time for designing and manufacturing. Typically, a custom order takes a minimum of 2-3 months.

---

### **Are sauna components painted at the factory?**

DIY (self-assembly) sauna components are partially factory-painted, requiring final finishing during installation. Fully assembled saunas are factory-painted and finished.

---

### **On what surface can the sauna be installed?**

The sauna must be installed on stable and level ground that doesn't settle. For outdoor saunas, ground must be prepared, either with driven piles or a concrete foundation.

---

### **Does the standard sauna kit include a heater?**

A standard kit includes the sauna only. Optional LED lighting and a heater packages are available as add-ons.\*

\*Depending on the country.



# Black Cube

## Outdoor Sauna Collection

Black Cube is our most compact outdoor sauna collection, defined by its bold dark finish and distinctive cube form with signature arches. Designed for smaller outdoor spaces without compromising on style, the series offers a configurable setup: depending on the model, you can choose different bench layouts, upgrade interior finishes, and add features such as LED lighting and rear glazing. The result is a compact sauna with a strong visual identity and the flexibility to tailor both the look and the session to your needs.



Classic  
for 4 people



Comfort  
for 6 people



Premium  
for 4 people



**Leil**<sup>®</sup>  
SAUNAS

### Leil Saunas OÜ

Karja tee 6, Võnnu, 62401  
Kastre municipality, Tartu county,  
Estonia

[sales@leilsaunas.com](mailto:sales@leilsaunas.com)

[leilsaunas.com](https://leilsaunas.com)

[f](#) [@](#) [in](#) @leilsaunas

#throwtheleil

